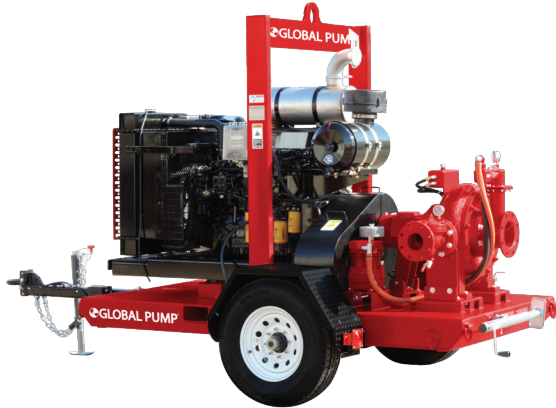


## 4GSH GLOBAL STANDARD HIGH HEAD



Global Pump® Standard High Head pumps are specifically designed to effectively handle a wide-range of liquids in applications such as liquid transfer, wash down, fire protection, fracking and jetting where high heads and pressure are required.

Global Pump Standard High Head pumps provide a dependable, highly efficient solution. The model 4GSH is capable of achieving maximum flows of 1,440 gpm (327 m<sup>3</sup>/h) and maximum total head of 433' (132 m), with solids handling up to 0.625" (15.9 mm) in diameter.

The standard 4GSH is powered by a water-cooled, 4-cylinder diesel engine. Alternative drives are available, including other diesel engines or electric motor options.

### FEATURES

Global Pump's rugged, heavy duty pumps are engineered specifically for portable application

Non-return valve uses only a single moving part to allow with minimal restriction

Standard engine control panel provides preset emergency shutdown protection and allows the addition of automatic level control

Fully guarded coupling

Pump casings are hydrostatically tested to 50 psig (345 kPa) above the peak casing design pressure

Highway trailer with integral fuel cell/chassis, lights, fenders, tie downs, lifting bail, front and rear jacks. Trailer brakes can be offered as required

### OPTIONS

Available with a variety of priming systems, including Global's Auto Prime® automatic priming system (compressor-fed venturi priming) or a diaphragm priming system

Mechanical seal with biodegradable (optional) glycol quench allows the pump to start and run dry

Global Pump's Environmental Box separates and silences air exhaust and returns liquid to the pump suction.

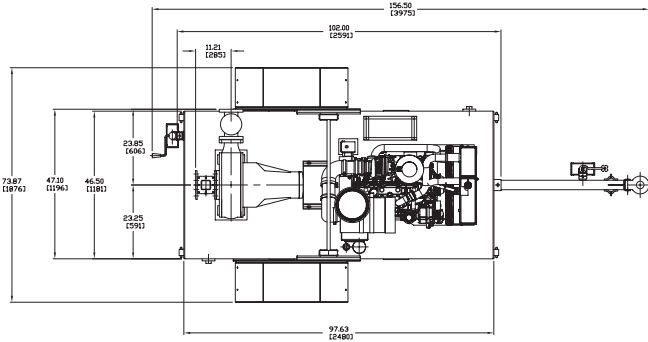
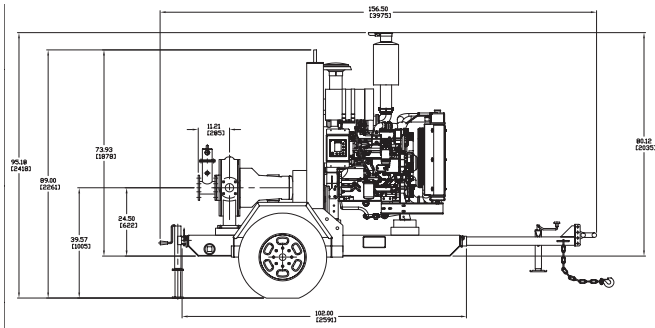
Fuel cubes for extended run times and/or remote location as required

Sound attenuated enclosure options

Skid-mounted formats with tie downs, lifting bail, and fork pockets

Hose racks, accessory containers and other custom features available as required

Wide range of suction and discharge fittings including Global Pump's own "QD" Quick Disconnect fittings and accessories

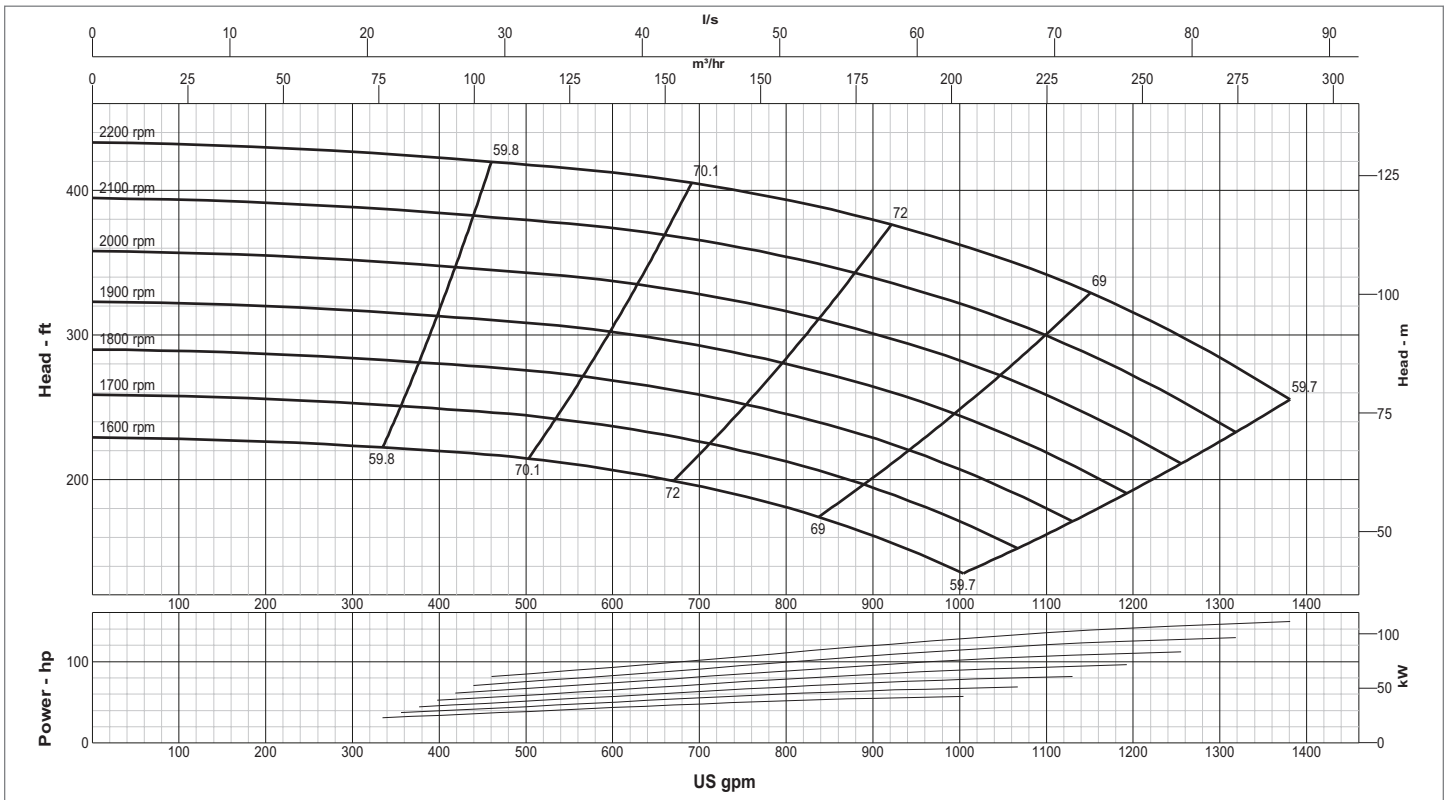


### SPECIFICATIONS

|                            |  |
|----------------------------|--|
| Connections                | 4" x 3" (100 mm x 75 mm)<br>ANSI Flanges |
| Max Pump Speed             | 2,200 rpm                                |
| Max Flow                   | 2,100 gpm (477 m <sup>3</sup> /h)        |
| Max Head                   | 433' (132 m)                             |
| Max Static Priming Lift    | 28' (8.5 m)                              |
| Temperature Limit          | 160° F (70° C)                           |
| Solids Handling Capability | 0.625" (15.9 mm)                         |
| Max Casing Pressure        | 200 psig (1379 kPa)                      |
| Fuel Cell                  | 115 gallons (435 liters)                 |
| Dry Weight                 | 5,000 lbs                                |

### PUMP MATERIAL

|                     |                                    |
|---------------------|------------------------------------|
| Casing              | Cast Steel (CD4MCu is an option)   |
| Impeller            | CD4MCu                             |
| Bearing Housing     | Cast Iron                          |
| Bearing Lubrication | Grease                             |
| Shaft               | Stainless Steel                    |
| Seal                | Silicon Carbide on Silicon Carbide |
| Chassis/Fuel Cell   | Steel                              |
| Non-Return Valve    | Nitrile Fitted Cast Iron           |



**GLOBAL PUMP**  
 10162 East Coldwater Road, Davison, MI 48423  
 Tel: 810.653.4828 Fax: 810.658.0632  
**1.866.360.PUMP** [www.globalpump.com](http://www.globalpump.com)