

INCH
DIMENSIONS IN
[] ARE METRIC

3RD ANGLE PROJECTION

REMOVE ALL
BURRS, BREAK
SHARP EDGES, AND
INSPECT, CHAMFER
ALL TAPPED HOLES.

GLOBAL PUMP
A MERSINO COMPANY

Divison MI 48423

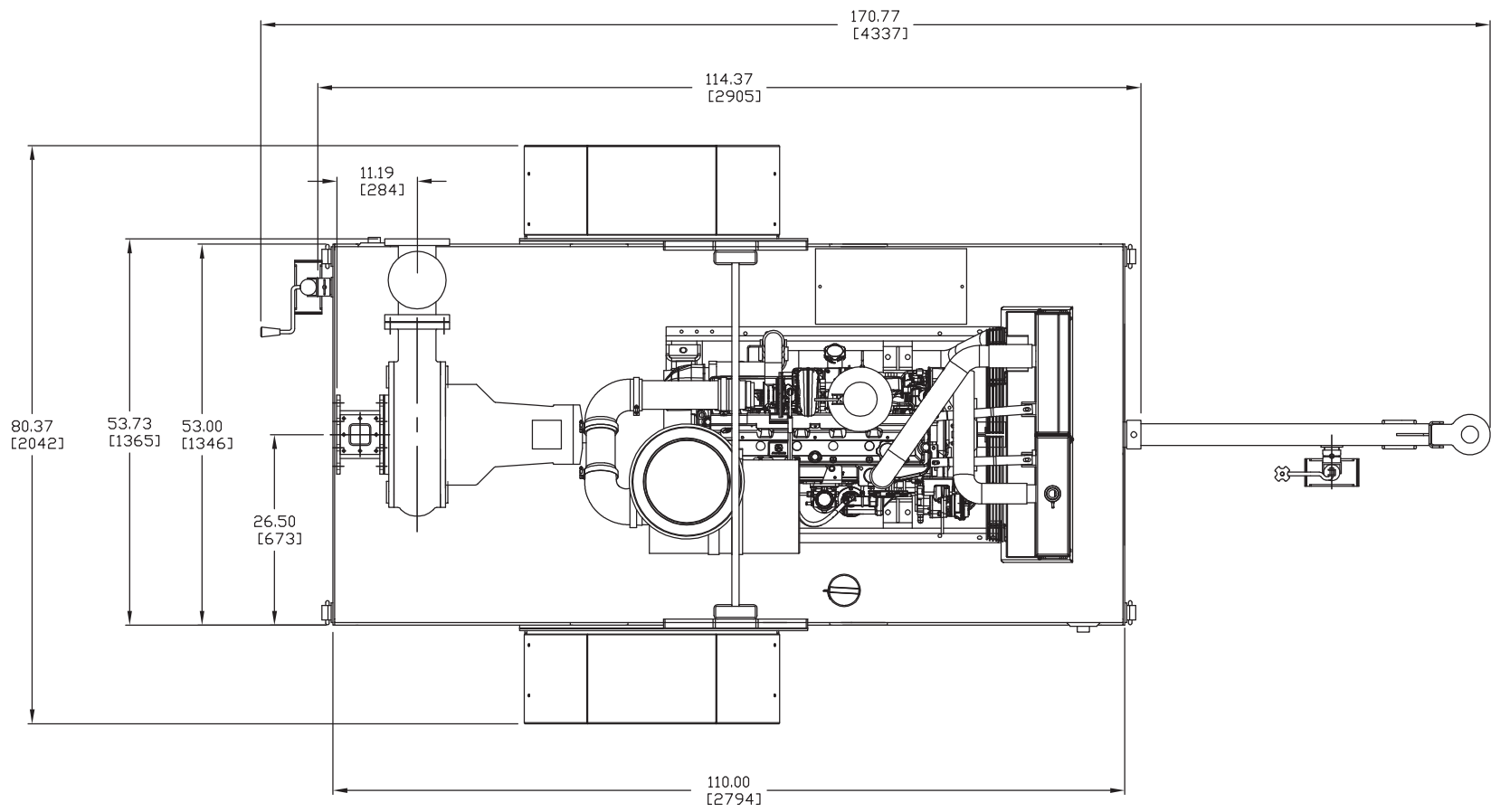
This document, including the conceptual content and specifications, is the intellectual property of Global Pump Company, LLC. It is not to be used for the purpose other than that for which it was provided by Global to the recipient, nor copied, loaned, or otherwise communicated to any third party, in whole or part, without the written consent of Global Pump Company, LLC

TITLE: 6GSHAPSJT3T10P
GENERAL DIMENSIONS

DWG NO.:

DO NOT
SCALE

SHT	TOTAL SHTS	DATE:	DWG. BY:	AUTHORIZED BY:	MANUF. REP.:
1	2	04/23/16	TL	-	-



INCH
DIMENSIONS IN
[] ARE METRIC

3RD ANGLE PROJECTION

REMOVE ALL
BURRS, BREAK
SHARP EDGES, AND
INSPECT, CHAMFER
ALL TAPPED HOLES.

GLOBAL PUMP
A MERSINO COMPANY Davison MI 48423

This document, including the conceptual content and specifications, is the intellectual property of Global Pump Company, LLC. It is not to be used for the purpose other than that for which it was provided by Global to the recipient, nor copied, loaned, or otherwise communicated to any third party, in whole or part, without the written consent of Global Pump Company, LLC

TITLE:		6GSHAPSJT3T10P GENERAL DIMENSIONS		DWG NO.:	
SHT	TOTAL SHTS	DATE:	DWG. BY:	AUTHORIZED BY:	MANUF. REP.:
2	2	04/23/16	TL	-	-

**DO NOT
SCALE**